

Монтажные приспособления

Архангельск (8182)63-90-72
Астана (7172)727-132
Астрахань (8512)99-46-04
Барнаул (3852)73-04-60
Белгород (4722)40-23-64
Брянск (4832)59-03-52
Владивосток (423)249-28-31
Волгоград (844)278-03-48
Вологда (8172)26-41-59
Воронеж (473)204-51-73
Екатеринбург (343)384-55-89
Иваново (4932)77-34-06
Ижевск (3412)26-03-58
Казань (843)206-01-48

Калининград (4012)72-03-81
Калуга (4842)92-23-67
Кемерово (3842)65-04-62
Киров (8332)68-02-04
Краснодар (861)203-40-90
Красноярск (391)204-63-61
Курск (4712)77-13-04
Липецк (4742)52-20-81
Магнитогорск (3519)55-03-13
Москва (495)268-04-70
Мурманск (8152)59-64-93
Набережные Челны (8552)20-53-41
Нижний Новгород (831)429-08-12
Новокузнецк (3843)20-46-81

Новосибирск (383)227-86-73
Омск (3812)21-46-40
Орел (4862)44-53-42
Оренбург (3532)37-68-04
Пенза (8412)22-31-16
Пермь (342)205-81-47
Ростов-на-Дону (863)308-18-15
Рязань (4912)46-61-64
Самара (846)206-03-16
Санкт-Петербург (812)309-46-40
Саратов (845)249-38-78
Севастополь (8692)22-31-93
Симферополь (3652)67-13-56
Смоленск (4812)29-41-54

Сочи (862)225-72-31
Ставрополь (8652)20-65-13
Сургут (3462)77-98-35
Тверь (4822)63-31-35
Томск (3822)98-41-53
Тула (4872)74-02-29
Тюмень (3452)66-21-18
Ульяновск (8422)24-23-59
Уфа (347)229-48-12
Хабаровск (4212)92-98-04
Челябинск (351)202-03-61
Череповец (8202)49-02-64
Ярославль (4852)69-52-93

'T' SHAPED MOUNTING CRADLE

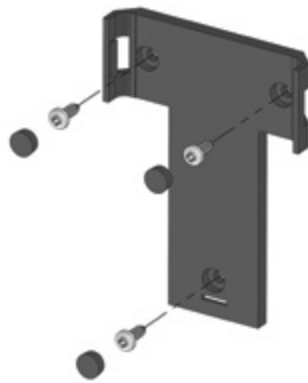
Many Alfatronix products are installed using our 'T' shaped mounting cradle. This is manufactured from VO rated (self-extinguishing) glass filled polycarbonate material and exhibits excellent strength and durability characteristics. The three point design allows for flat installation, even on uneven surfaces and it is both quick and easy to install as the bracket itself can be used as a template for accurate drilling before being screwed firmly into position. The converter can be fully wired before being clipped securely onto the bracket. The clip design is entirely vibration proof and, as the body of the converter covers the screw heads, once installed it is virtually impossible for any of the screws to vibrate loose, a potential long term problem on a diesel vehicle.

This bracket is supplied as standard with all PowerVerter DC-DC converters up to 240W (24A), DD Series converters (up to 240W) and Brick in the lead AD Series mains power supplies.

1.



2.



3.



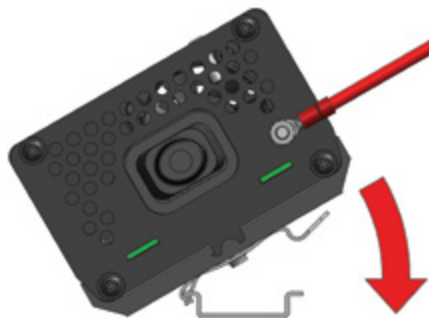
DIN RAIL MOUNTING CLIP

The din rail mounting pack is sold separately as an alternative to the 'T' shaped bracket and is supplied in a pack of two. Please order part number: DIN RAIL CLIP Pack (2). These are compatible with all units supplied with a 'T' bracket (which should be discarded). For PV3s units, only one clip is sufficient. A pair of clips should be used for all other installations.

1.



2.



3.



POWERTECTOR INSTALLATION METHODS

Depending on the size of the units, the PowerTector battery guards use two different mounting methods.

For any units up to 20A, it is not necessary to drill into the vehicle chassis as these small, lightweight units can be wired in place, then simply tie-wrapped in position in a similar way as an in line fuse.

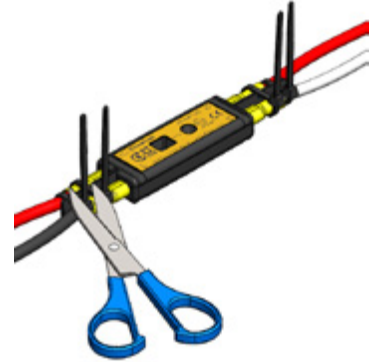
1.



2.



3.



Units from 40-200A use a die cast aluminium body configured with three mounting holes. These are offset slightly from the heatsink structure to allow installation onto uneven surfaces and provide for airflow beneath the unit.

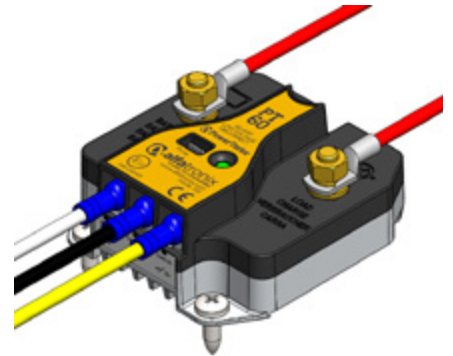
1.



2.



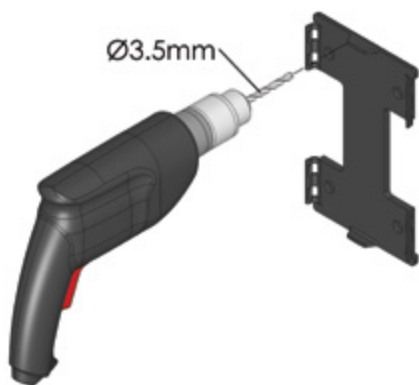
3.



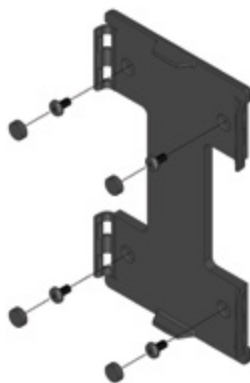
'I' SHAPED MOUNTING CRADLE

This cradle is supplied as standard and used for the more powerful, heavier units from 400W upwards. Examples include DD 12-24 400, DD 12-24 600 and PV50s. It is manufactured from V0 rated (self-extinguishing) glass filled polycarbonate material and exhibits excellent strength and durability characteristics. The four point design includes spacer washers to allow for flat installation, even on uneven surfaces and it is both quick and easy to install as the bracket itself can be used as a template for accurate drilling before being screwed firmly in position. The converter can be fully wired before being clipped securely onto the bracket. The clip design is entirely vibration proof and as the body of the converter covers the screw heads, once installed it is virtually impossible for any of the screws to vibrate loose, a potential long term problem on a diesel vehicle.

1.



2.



3.



По вопросам продажи и поддержки обращайтесь:

Архангельск (8182)63-90-72
Астана (7172)727-132
Астрахань (8512)99-46-04
Барнаул (3852)73-04-60
Белгород (4722)40-23-64
Брянск (4832)59-03-52
Владивосток (423)249-28-31
Волгоград (844)278-03-48
Вологда (8172)26-41-59
Воронеж (473)204-51-73
Екатеринбург (343)384-55-89
Иваново (4932)77-34-06
Ижевск (3412)26-03-58
Казань (843)206-01-48

Калининград (4012)72-03-81
Калуга (4842)92-23-67
Кемерово (3842)65-04-62
Киров (8332)68-02-04
Краснодар (861)203-40-90
Красноярск (391)204-63-61
Курск (4712)77-13-04
Липецк (4742)52-20-81
Магнитогорск (3519)55-03-13
Москва (495)268-04-70
Мурманск (8152)59-64-93
Набережные Челны (8552)20-53-41
Нижний Новгород (831)429-08-12
Новокузнецк (3843)20-46-81

Новосибирск (383)227-86-73
Омск (3812)21-46-40
Орел (4862)44-53-42
Оренбург (3532)37-68-04
Пенза (8412)22-31-16
Пермь (342)205-81-47
Ростов-на-Дону (863)308-18-15
Рязань (4912)46-61-64
Самара (846)206-03-16
Санкт-Петербург (812)309-46-40
Саратов (845)249-38-78
Севастополь (8692)22-31-93
Симферополь (3652)67-13-56
Смоленск (4812)29-41-54

Сочи (862)225-72-31
Ставрополь (8652)20-65-13
Сургут (3462)77-98-35
Тверь (4822)63-31-35
Томск (3822)98-41-53
Тула (4872)74-02-29
Тюмень (3452)66-21-18
Ульяновск (8422)24-23-59
Уфа (347)229-48-12
Хабаровск (4212)92-98-04
Челябинск (351)202-03-61
Череповец (8202)49-02-64
Ярославль (4852)69-52-93

Единый адрес для всех регионов: axt@nt-rt.ru || www.alfatronix.nt-rt.ru

Power conversion and battery management products for communications, marine and automotive applications

Produits de conversion d'énergie et de gestion de batterie pour les applications des secteurs communications, marine et automotive

Spannungswandler und Batterie-Management Produkte für Kommunikations-, Marine- und Fahrzeuganwendungen

Productos de conversión de energía y gestión de baterías para aplicaciones en los campos de la comunicación, marítimo y de la automoción

